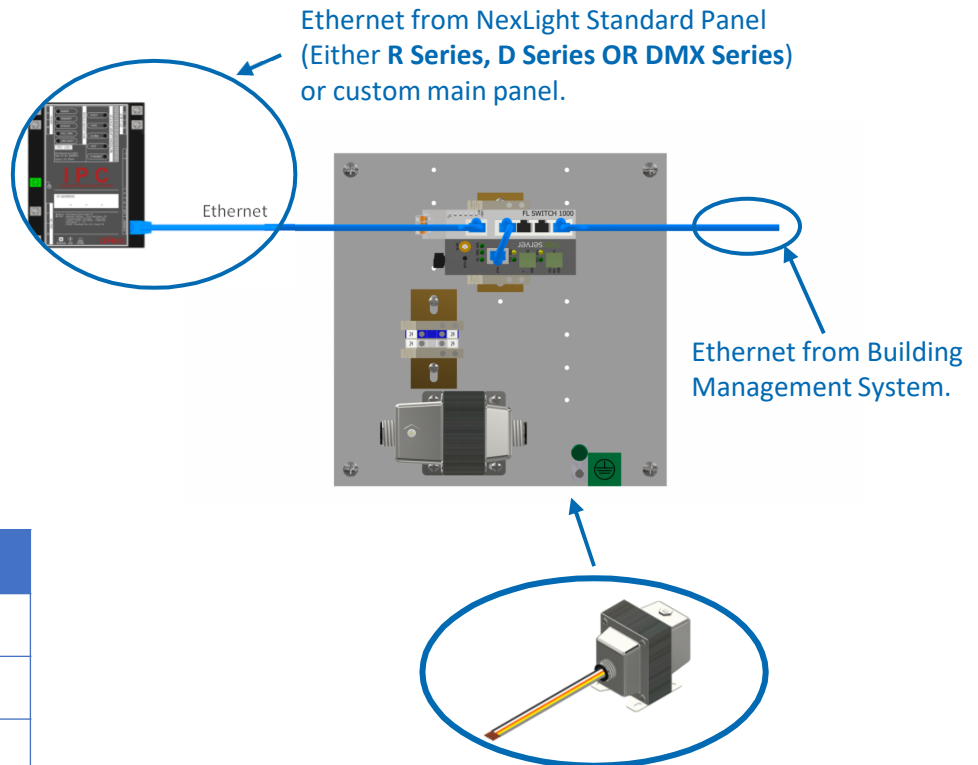
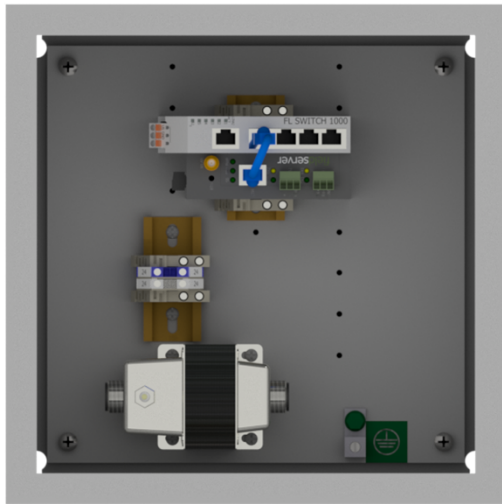


NXL-BMS

BACnet PROTOCOL CONVERSION PANEL



Description	Wire Color
Neutral	Black
120VAC	White
240VAC	Orange
277VAC	Yellow
480VAC	Gray

APPLICATION OVERVIEW

As a standard, all NexLight lighting control panels utilizing the IPC or SPC controller include native Modbus TCP/IP support. If you require BACnet protocol for integrating into your Building Management System, the NXL-BMS is the accessory panel you need. To implement this solution, the installer simply needs to supply power to the included Transformer, connect the main NexLight panel to an available port on the included ethernet switch in the NXL-BMS panel via Ethernet (CAT5E or greater). The BACnet system can then connect either via Ethernet to another available port on the ethernet switch or via RTU connection on the BMS protocol converter in the NXL-BMS panel. The only remaining task is for the Building Management Integrator to set the communication of the device to match their BMS network and Map the NexLight System Points using the supplied points list.

APPLICATION HIGHLIGHTS

- Simple BMS integration using BACnet Protocol.
- Solution for any R Series, D Series, DMX Series or a Custom Main Panel.
- Allows Building Management to override any point on the NexLight System including dimming levels of dimmed lighting loads.